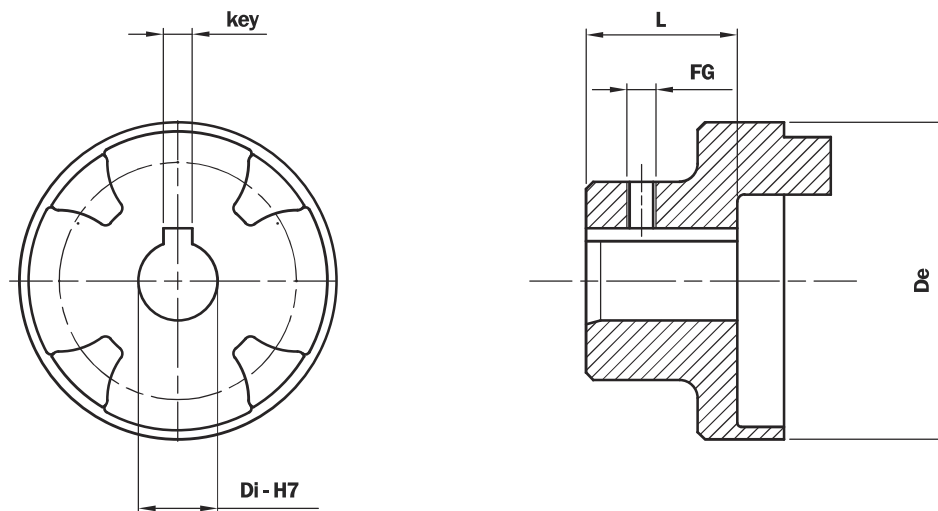


# SGEA motor half-coupling aluminum



**TABLE 38 - Motor half-coupling**

Motor 4-pole 1500 rpm				Dimensions of motor half-coupling								
Frame size	kW	Hp	Shaft	Half-coupling code	De	L	d	Tol	key	Tol	FG	Weight (kg)
63	0.12 - 0.16	0.18 - 0.24	11x23	<b>SGEA01M01021</b>	43	21	11		4		M5	0,07
71	0.25 - 0.34	0.37 - 0.50	14x30	<b>SGEA01M02028</b>	43	28	14		5		M5	0,08
80	0.53 - 0.75	0.75 - 1	19x40	<b>SGEA01M03040</b>	43	40	19		6		M5	0,12
				<b>SGEA21M03040</b>	68	40	19		6		M6	0,30
90	1.1 - 1.5	1.5-2	24x50	<b>SGEA01M04048</b>	43	48	24		8		M5	0,13
				<b>SGEA21M04048</b>	68	48	24		8		M6	0,28
100 - 112	2.2-4	3-5.5	28x60	<b>SGEA21M05060</b>	68	60	28		8		M6	0,33
				<b>SGEA31M05060</b>	85	60	28	H7	8	D10	M8	0,48
132	5.5-7.5	7.5-12.5	38x80	<b>SGEA31M06077</b>	85	77	38		10		M8	0,78
				<b>SGEA51M06077</b>	109,5	77	38		10		M8	1,60
160	11-15	15-20	42x110	<b>SGEA51M07109</b>	109,5	109	42		12		M8	1,60
180	18-22	25-30	48x110	<b>SGEA51M08109</b>	109,5	109	48		14		M8	1,60
200	30	40	55x110	<b>SGEA51M09109</b>	109,5	109	55		16		M8	1,90
225	37-45	50-61	60x140	<b>SGEA51M10109</b>	109,5	109	60		18		M8	1,90

**TABLE 39 - Pump drive half-couplings**

Half-coupling code	d min	d max	D	Tol	L min	L max	Standard lengths										FG
<b>SGEA01 *** **</b>	11	19	43	H7	17	50	17	23	30	40	44	48	-	-	-	-	M5
<b>SGEA21 *** **</b>	15	24	70	H7	23	50	35	40	42	44	48	50	-	-	-	-	M6
<b>SGEA21 *** **</b>	25	28	70	H7	40	60	40	42	44	48	50	55	58	60	-	-	M6
<b>SGEA31 *** **</b>	18	32	85	H7	40	60	42	45	48	50	52	55	58	60	-	-	M8
<b>SGEA31 *** **</b>	38	42	85	H7	60	80	60	65	70	77	80	-	-	-	-	-	M8
<b>SGEA51 *** **</b>	18	40	109,5	H7	40	70	42	45	48	50	52	55	58	60	65	70	M8
<b>SGEA51 *** **</b>	38	55	109,5	H7	70	109	70	75	80	85	90	95	100	105	109	-	M8

Complete the half-coupling designation with the pump interface code and the length.

Ex. **SGEA51D02040 D02** See **Table 44** **040** Half-coupling length (see **Table 39**).

**Note:** Screw not included

.....

.....

.....

.....